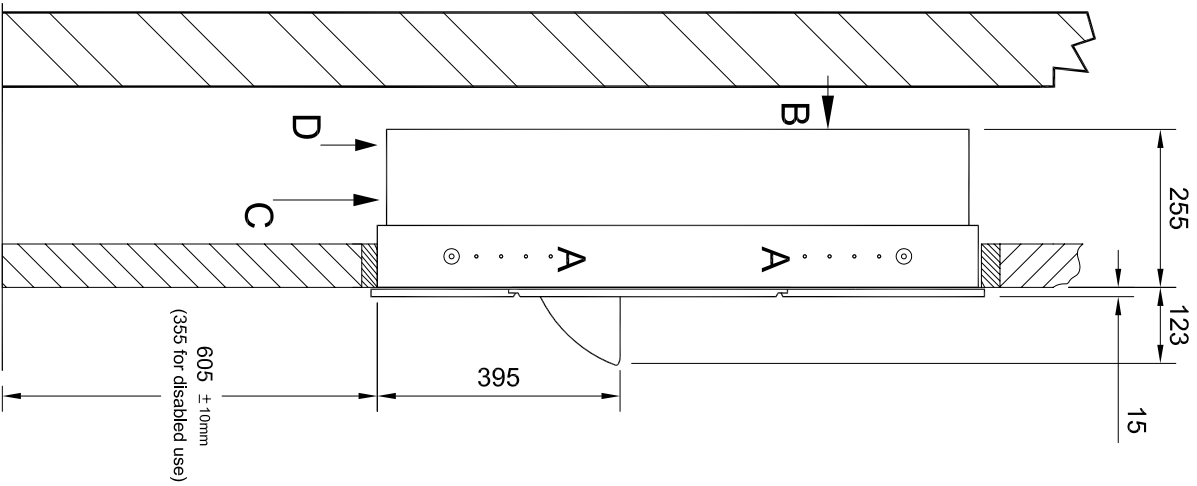
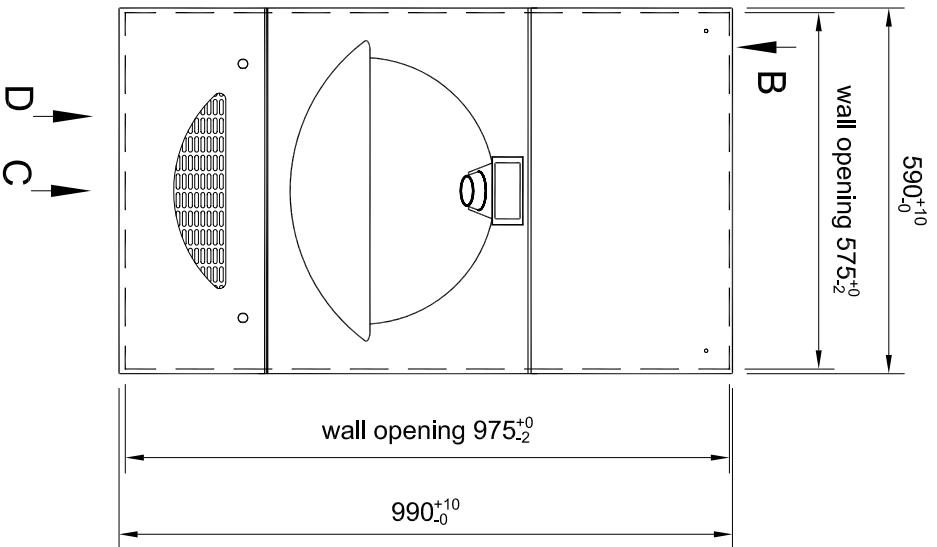


SIDE ELEVATION.



FRONT ELEVATION.



REVISIONS

Issue	DATE	DRWN. BY	CHKD	DESCRIPTION OF CHANGE
1	13.04.00	DB		NEW DRAWING.
2	23.07.01	DB		Disabled height was 367mm. Drawer grille updated. Burton panel removed.

Letter coding:

- (A) Sub-frame fixing holes (8 per side).
- (B) Electrical cable entry, top or back.
- (C) Waste outlet connection with 1 1/4" trap tail. (Trap not supplied).
- (D) Water supply connection (15mm).

FFL

WALLGATE LTD.

CROW LANE, WILTON, NR. SALISBURY, WILTS. SP2 0HB.
 Tele: 01722 744994; Fax: 01722 742096.

© 1999 COPYRIGHT. ALL RIGHTS RESERVED.
 THIS DRAWING IS THE PROPERTY OF WALLGATE LIMITED AND IS ISSUED ON THE STRICT UNDERSTANDING THAT THE INFORMATION CONTAINED HEREIN IS NOT TO BE REPRODUCED, COPIED OR USED WITHOUT THE PRIOR PERMISSION AND AGREEMENT OF WALLGATE LTD.

Title. CME_45 & CMEP45 INSTALLATION DETAILS.

Drwg No. INSCME_45.

All dimensions are INCHES & (mm).

Limits: +/- 1/16 or as otherwise stated.

All angles 90° (unless stated).

Scale 1 : 1

3rd Angle Projection.

